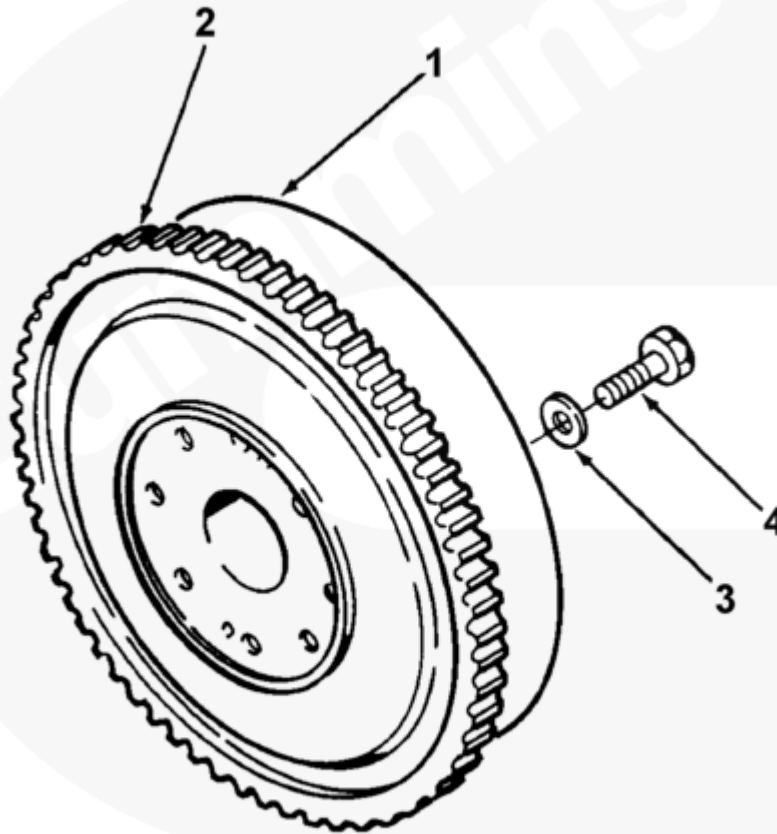




# Parts Catalog - Option Detail

Electronic Parts Catalog - Option Detail				
Option	Group	Graphic	Film Card	Date
FW1109	16.02	fw100ga	F	15-AUG-90
<b>Engines</b>	NH/NT 855, NT495, NT743, NTA855 N106			

©Cummins Inc



fw100ga

[SMALL](#) | [MEDIUM](#) | [LARGE](#)

Cart	Ref No	Part Number	Part Description	Required	Remarks
<a href="#">View My Cart</a>					
		FW1109	Flywheel		<a href="#">SAE #1 flywheel. Meets SAE...(More)</a>
					J162 for #514 generator flex
					disc. Also meets SAE J620 C
					for SAE 14 overcenter clutch.

<input type="checkbox"/>		<a href="#">3023510</a>	Flywheel	1	
	1	<a href="#">2965</a>	Flywheel	1	
<input type="checkbox"/>	2	<a href="#">4851</a>	Flywheel Ring Gear	1	
<input type="checkbox"/>	3	<a href="#">200861</a>	Plain Washer	6	5/8 Inch.
<input type="checkbox"/>	4	<a href="#">204165</a>	Head Locking Screw	6	5/8 - 18 x 1 5/8 inch

© 2019 Cummins Inc., Box 3005, Columbus, IN 47202-3005 U.S.A.  
Terms of Use and Disclaimers | Recommended System Requirements  
Need Assistance? Please click on the Contact Us button in the top right corner of any page.